

**MSUD valve plug BI-11mm 180° with cable**

PUR 3x0.75 gy UL/CSA+drag ch. 7.5m

MSUD

Form BI (11 mm)

24 V AC  $\pm 20\%$  / DC  $\pm 25\%$ 

LED and suppression

PE opposite cable entry (180°)

Attention: Contact carrier turned to 180°!

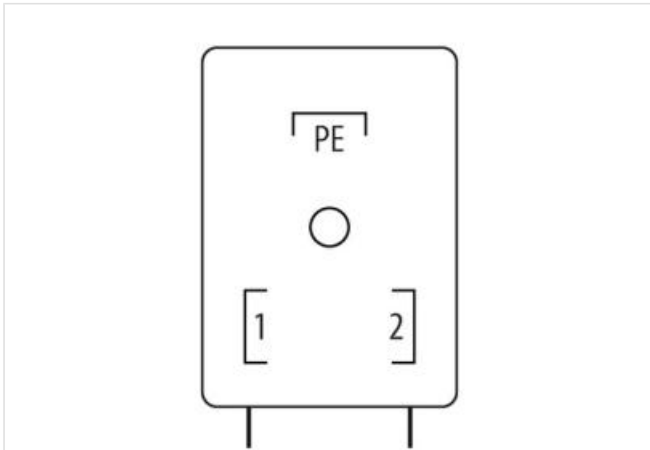
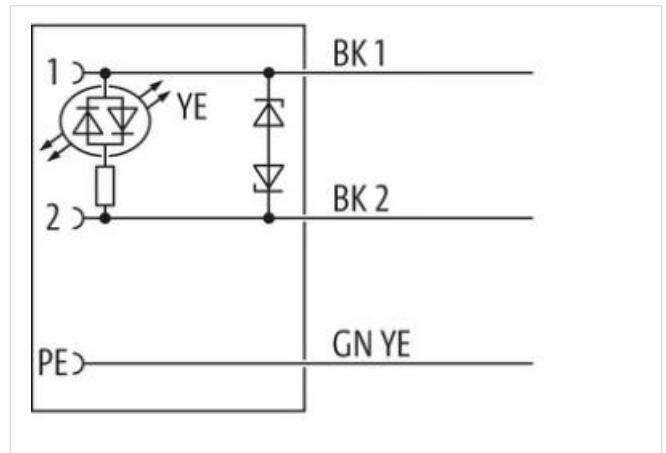
Further cable lengths on request.

Plastic housings with good resistance against chemicals and oils.

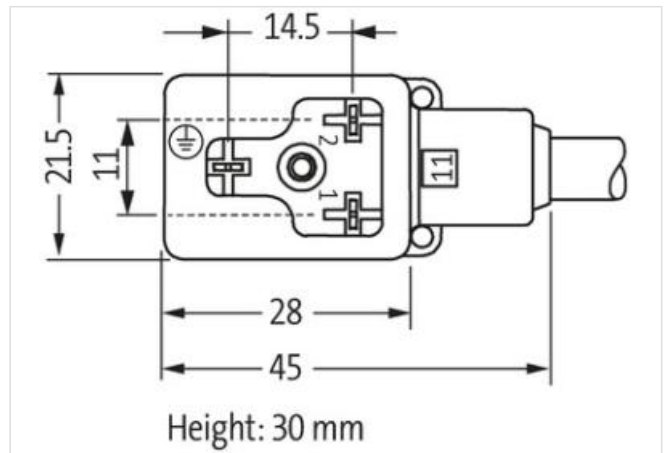
The resistance to aggressive media should be individually tested for your application. Further details on request.

[Link a termékhez](#)

## Ábrák



Szimbolikus ábra



Cable length

7,5 m

| Side 1                                   |                   |
|--|-------------------|
| Tightening torque                        | 0,4 Nm            |
| Mounting method                          | inserted, screwed |
| Family construction form                 | MSUD BI           |
| Thread                                   | M3                |
| Material                                 | PBT               |
| Degree of protection (EN IEC 60529)      | IP67              |
| Commercial data                          |                   |
| ECLASS-6.0                               | 27279218          |
| ECLASS-7.0                               | 27279218          |
| ECLASS-8.0                               | 27279218          |
| ECLASS-9.0                               | 27060311          |
| ECLASS-10.1                              | 27060312          |
| ECLASS-11.1                              | 27060312          |
| ECLASS-12.0                              | 27060312          |
| ETIM-5.0                                 | EC001855          |
| customs tariff number                    | 85444290          |
| GTIN                                     | 4048879220170     |
| Packaging unit                           | 1                 |
| Electrical data                          |                   |
| Drop-out delay time max.                 | 20 ms             |
| Electrical data   Supply                 |                   |
| Operating voltage AC                     | 24 V              |
| Operating voltage AC min.                | 19,2 V            |
| Operating voltage AC max.                | 28,8 V            |
| Operating voltage DC                     | 24 V              |
| Operating voltage DC min.                | 18 V              |
| Operating voltage DC max.                | 30 V              |
| Cut-off peak voltage max.                | 55 V              |
| Current operating per contact max.       | 4 A               |
| Current consumption max.                 | 15 mA             |
| Diagnostics                              |                   |
| Status indication LED                    | yellow            |
| Installation   Connection                |                   |
| Mounting set                             | M3                |
| Device protection   Electrical           |                   |
| Additional condition protection degree   | inserted, screwed |
| Pollution Degree                         | 3                 |
| Rated surge voltage                      | 0,8 kV            |
| Material group (IEC 60664-1)             | I                 |
| Additional suppressor                    | Diode, Z-Diode    |
| Mechanical data   Material data          |                   |
| Coating locking                          | verzinkt          |
| Coating of fitting                       | verzinkt          |
| Color housing                            | black             |
| Material gasket                          | PUR               |
| Locking material                         | Steel             |
| Material screw connection                | Steel             |
| Mechanical data   Mounting data          |                   |
| Mounting method                          | inserted, screwed |
| Environmental characteristics   Climatic |                   |

|  |                            |
|--|----------------------------|
| Operating temperature min.             | -25 °C                     |
| Operating temperature max.             | 85 °C                      |
| Additional condition temperature range | depending on cable quality |

#### Important installation notes

|                        |   |
|------------------------|---|
| Note on strain relief  | Protect the connectors by suitable measures from mechanical loads, e.g. by the usage of cable ties.   |
| Note on bending radius | <b>Attention:</b> Observe the permissible bending radii when laying cables, as the IP protection class can be endangered by excessive bending forces. |

#### Installation | Cable

|   |  |
|---|--|
| wire arrangement                                  | black 1, black 2, green-yellow                                 |
| Cable identification                              | 236  |
| Cable Type  | 3  |
| Printing color of wire insulation                 | white (isolation black)  |
| Jacket Color                                      | gray   |
| Type of Certificate                               | cURus  |
| Amount stranding                                  | 1  |
| Stranding   | 3 wires twisted  |
| wire arrangement                                  | black 1, black 2, green-yellow                                 |
| Cable weight                                      | 56,1 g/m   |
| Material jacket                                   | PUR  |
| Shore hardness jacket                             | 90 ± 5 Shore A   |
| Freedom from ingredients (jacket)                 | lead-free, cadmium-free, CFC-free, halogen-free, silicone-free |
| Outer-diameter (jacket)                           | 5,9 mm   |
| Tolerance outer diameter (sheath)                 | ± 5 %  |
| Material wire insulation                          | PP   |
| Amount wires                                      | 3  |
| Outer diameter insulation                         | 1,85 mm  |
| Outer diameter tolerance core insulation          | ± 5 %  |
| Shore hardness wire insulation                    | 70 ± 5 Shore D   |
| Ingredient freeness wire insulation               | lead-free, cadmium-free, CFC-free, halogen-free, silicone-free |
| Printing color of wire insulation                 | white (isolation black)  |
| Amount strands (wire)                             | 42   |
| Diameter of single wires                          | 0,15 mm  |
| Conductor crosssection (wire)                     | 0,75 mm <sup>2</sup>   |
| Material conductor wire                           | Stranded copper wire, bare                                     |
| Conductor type (wire)                             | strand class 6   |
| Nominal voltage AC max.                           | 300 V  |
| Current load capacity (standard)                  | to DIN VDE 0298-4  |
| Current load capacity min. wire                   | 12 A   |
| Electrical resistance line constant wire          | 26 Ω/km @ 20 °C  |
| AC withstand voltage (wire - wire)                | 2,5 kV @ 60 s  |
| Power frequency withstand voltage (wire - jacket) | 2,5 kV @ 60 s  |
| Min. operating temperature (static)               | -40 °C   |
| Max. operating temperature (fixed)                | 80 °C / 90 °C @ 10000 h Operation                              |
| Operating temperature min. (dynamic)              | -25 °C   |
| Operating temperature max. (dynamic)              | 80 °C / 90 °C @ 10000 h Operation                              |
| Flame resistance                                  | UL 1581 § 1090   IEC 60332-2-2   UL 1581 § 1100 FT2            |
| chemical resistance                               | Good, application-related testing                              |
| Gasoline resistance                               | Good, application-related testing                              |
| Oil resistance                                    | DIN EN 60811-404   Good, application-related testing           |
| Bending radius (fixed)                            | 5 x Outer diameter   |
| Bending radius (dynamic)                          | 10 x Outer diameter  |
| No. of bending cycles (C-track)                   | 10 Mio. @ 25 °C  |
| Traversing distance (C-track)                     | 10 m @ 25 °C   horizontal                                      |

A jelen adatlapban található adatokat a lehető legnagyobb gondossággal dolgozták ki. Felelősségünk az adatok helyességéért, teljességéért és aktualitásáért a súlyos vétkesség esetére korlátozódik. Állapot: 22.06.2024

|                        |               |
|------------------------|---------------|
| Travel speed (C-track) | 3 m/s @ 25 °C |
| No. of torsion cycles  | 2 Mio.        |
| Torsion stress         | ± 180 °/m     |
| Torsion speed          | 35 cycles/min |