

SUPPRESSOR FOR CONTACTORS

VDR, 48 VAC/DC, 70 VA/W

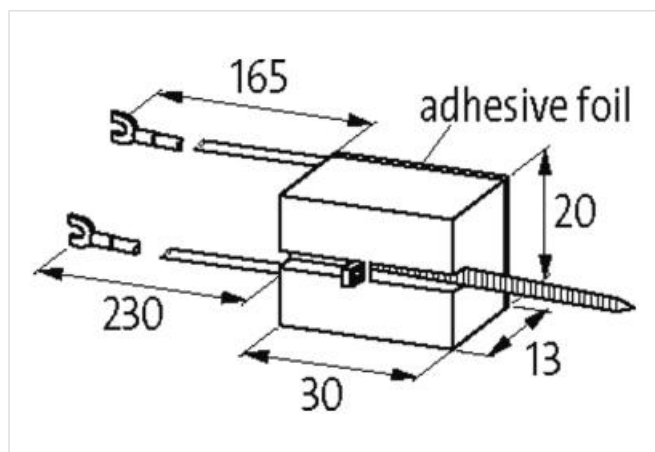
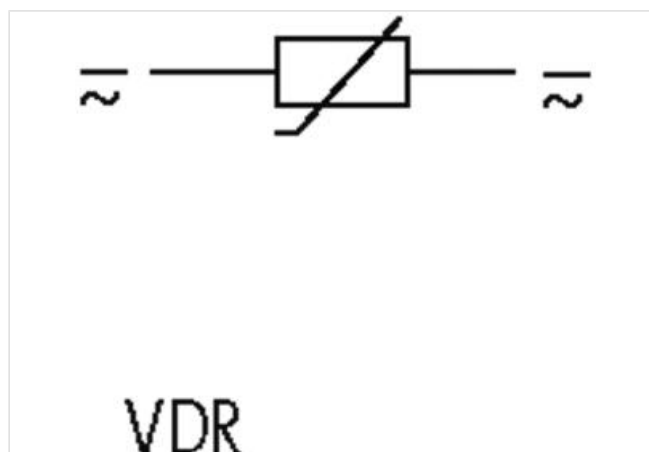
48 V AC/DC

VDR

For other configurations and voltages, please inquire.

[Link a termékhez](#)

Ábrák



Szimbolikus ábra



Commercial data

ECLASS-6.0	27371013
ECLASS-6.1	27371013
ECLASS-7.0	27371013
ECLASS-8.0	27371013
ECLASS-9.0	27371013
ECLASS-10.1	27371013

ECLASS-11.1	27371013
ECLASS-12.0	27371013
ETIM-5.0	EC002498
customs tariff number	85363010
GTIN	4048879018159

Packaging unit	1
----------------	---

Compatibility | Compatible with

Appropriate contactors	universal
------------------------	-----------

Electrical data

Damping factor	1.5× UN
Holding power max.	70 W

Electrical data | Input

Input voltage AC min.	24 V
Input voltage AC max.	48 V
Input voltage DC min.	24 V
Input voltage DC max.	48 V

Installation | Connection

Connection information	self-securing cable forks
------------------------	---------------------------

Device protection | Media

Flame resistance	flame retardant
------------------	-----------------

Mechanical data | Material data

Combustibility class housing (UL94)	V-0
Material housing	Plastic

Mechanical data | Mounting data

Height	30 mm
Width	20 mm
Depth	13 mm

Environmental characteristics | Climatic

Operating temperature min.	-20 °C
Operating temperature max.	70 °C