

## UNIVERSAL CONTACTOR SUPPRESSOR

RC, 48VDC15VA/W

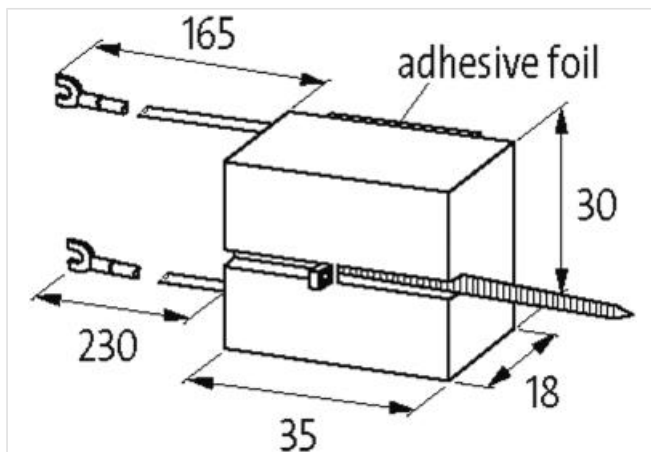
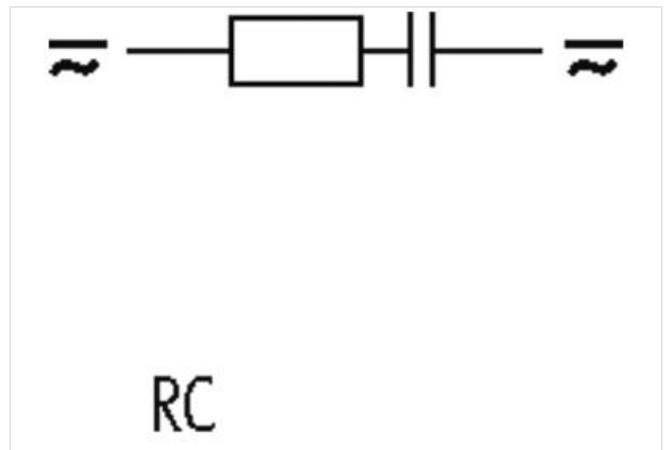
48 V AC/DC

RC

For other configurations and voltages, please inquire.

### [Link a termékhez](#)

#### Ábrák



Szimbolikus ábra



#### Commercial data

ECLASS-6.0	27371013
ECLASS-6.1	27371013
ECLASS-7.0	27371013
ECLASS-8.0	27371013
ECLASS-9.0	27371013
ECLASS-10.1	27371013

ECLASS-11.1	27371013
ECLASS-12.0	27371013
ETIM-5.0	EC002498
customs tariff number	85363010
GTIN	4048879020657

Packaging unit	1
----------------	---

**Compatibility | Compatible with**

Appropriate contactors	universal
------------------------	-----------

**Electrical data**

Damping factor	1.5× UN
Holding power max.	15 W

**Electrical data | Input**

Input voltage AC min.	24 V
Input voltage AC max.	48 V
Input voltage DC min.	24 V
Input voltage DC max.	48 V

**Installation | Connection**

Connection information	self-securing cable forks
------------------------	---------------------------

**Device protection | Media**

Flame resistance	flame retardant
------------------	-----------------

**Mechanical data | Material data**

Combustibility class housing (UL94)	V-0
Material housing	Plastic

**Mechanical data | Mounting data**

Height	35 mm
Width	30 mm
Depth	18 mm

**Environmental characteristics | Climatic**

Operating temperature min.	-20 °C
Operating temperature max.	70 °C